



MeoForce DF 4-16x44

MeoForce with variable 4-16x magnification is riflescope for designated marksman rifle (DMR) or sniper rifles (SR) which follows current trends and user's requirements to be used along with most of long barrel bolt action or semi auto rifles for medium range engagement. It's also right option for rimfire rifles, with parallax adjustable from 9m (10 yds). The red illuminated reticle allows using the system in various light condition combined with red dot on the mounts front ring and with additional clip-on NV device during night time operations.

Magnification	4x	16x
Objective Diameter (mm)	44	
Exit Pupil Diameter (mm)	11.0	2.8
Eye Relief (mm)	min. 80	
Main Tube Size (mm)	30	
Field Of View (°)	4.88	1.36
Field Of View (m/100m)	8.5	2.4
Focal Plane Position	2	
Dioptric Correction (D)	-3	+3
Parallax Correction (m)	9	∞
Measured Integral Transmission Daylight (%)	94	
Measured Integral Transmission Twilight (%)	91	
Recoil Resistance (g)	500	
Vertical range (MOA)	min. 40	
Vertical step/100m (cm)	0.5	
Horizontal range (MOA)	min. 30	
Horizontal step/100m (cm)	0.5	
Reticle Illumination (Y/N)	Y	
Reticle Brightness* (cd/m ²)	min. 6	
No. Of Intensity Levels	7	
Power Supply (V)	3 (CR2354/CR2032)	
Battery Lifetime** (hrs)	min. 80	
Automatic Shut Down (Y/N/hrs)	N	
Operational Temperature Range (°C)	-40	+55
Storage Temperature Range (°C)	-45	+70
Moisture Resistance [+23/+40°C] (%)	92	
Water Resistance (m/hrs)	2/2	
Dimensions*** L x H x W (mm)	396x77x88	
Weight**** (g)	850	

- * max. intensity level
- ** 1pc - CR 2354 3V and ambient temperature +20°C/medium intensity of luminosity
- *** With covers, exepiece extended to max. pos.
- **** With covers and battery

FEATURES

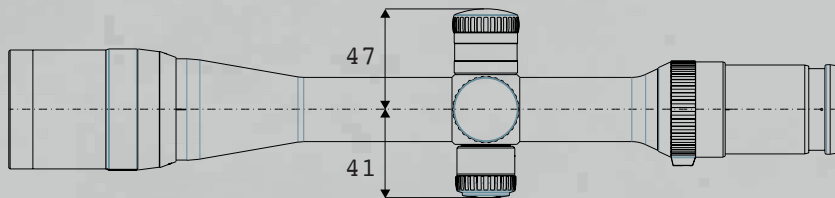
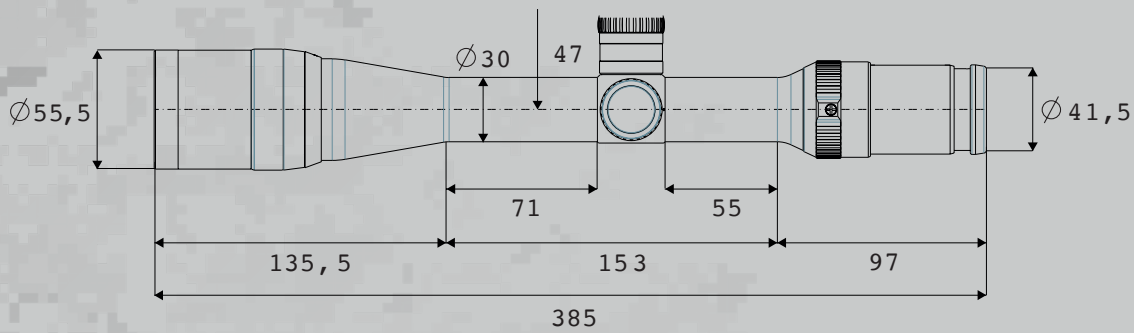
- **MEOBRIGHT**
- **MEOSHIELD**
- **ETCHED GLASS RETICLE**
- **WATERPROOF**
- **FOGPROOF**
- **SHOCKPROOF**



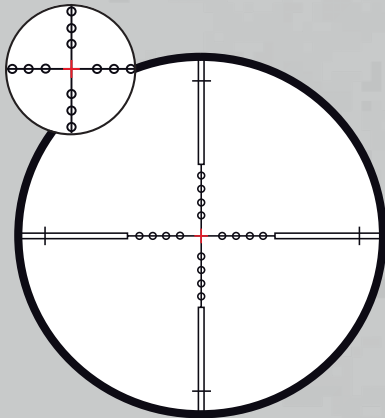
MEOPTA SYSTEMS s.r.o.
Kabelíkova 1, 750 02 Přerov
Česká republika

Telefon: +420 581 241 111
E-mail: meopta@meopta.com
www.meopta.com



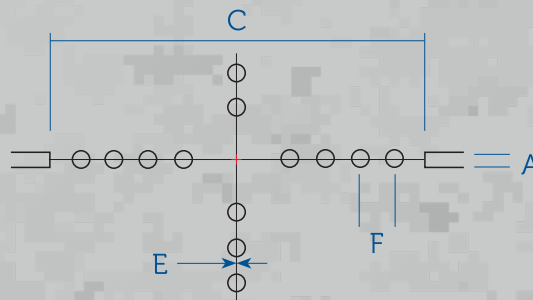


TYPE OF RETICLES



MILDOT - SPECIAL

Dimensions (mRad)			
A	C	E	F
0.2	6.4	0.02	1
Dimensions Are Valid For 14X Power			



MEOPTA SYSTEMS s.r.o.
 Kabelíkova 1, 750 02 Přerov
 Česká republika

Telefon: +420 581 241 111
 E-mail: meopta@meopta.com
 www.meopta.com